

# An Assembly to Provide a Time Reference for the JPL Network Operations Control Center, Real-Time

P. A. Clements and J. G. Lopez  
Communications Systems Research Section

M. J. Kelley  
Communications Systems Research Section and Telos Corporation, Pasadena, California

*This article describes a device which provides the value of date-coordinated universal time (date UTC)<sup>1</sup> to the JPL Network Operations Control Center, Real-Time (NOCC-RT) facility. The NOCC-RT is the real-time portion of the NOCC upgrade task. The time scale is generated in the NOCC-RT clock processor; however, there is a continuous reference to UTC, as realized by the National Institute of Standards and Technology and transmitted by Earth-orbiting satellites. An important functional design requirement is the 99.9-percent availability.*

## I. Introduction

The NOCC-RT clock processor (NCP) is a device which supplies the value of date-coordinated universal time (date UTC) to the JPL Network Operations Control Center, Real-Time (NOCC-RT) facility. The NCP is a separate device from the other hardware in NOCC-RT. The software in the NCP is a separate program set, designated NOCC-RT clock reader (NCR), which is located in programmable PROM's on a single-board computer. The entire device is designated a DSN assembly of the NOCC-RT Frequency and Timing (NFT) Subsystem. The NFT is one of the seven subsystems which compose the NOCC-RT facility.

NOCC-RT requires that the value of date UTC be available with a precision of 1 msec and an accuracy of 10 msec within the program sets which compose NOCC-RT. The availability of the value of date UTC at the output of the NCP is required to be 99.9 percent. This time scale must be generated from a 1-MHz signal originating at a cesium-beam frequency standard located at the JPL Standards Laboratory (JSL). To ensure that the output is to the required accuracy and precision, it is referenced to the UTC generated at the National Institute of Standards and Technology UTC (NIST) in Boulder, Colorado.

Access to UTC (NIST) is via time transmissions from two Geostationary Operational Environmental Satellites (GOES), which are operated by the U.S. Department of Commerce. UTC can be realized with a precision and accuracy of 100- $\mu$ sec using a GOES timing receiver. The

---

<sup>1</sup> "The reading of a specified time scale. Note that the date can be conventionally expressed in years, months, days, hours, minutes, seconds, and fractions thereof . . ." [1]

accuracy of the NCP was designed to be 1 msec. This allows the 10-msec accuracy requirement of NOCC-RT to be met even with the reduction of precision and accuracy in the computer system. Tests have shown the value of date UTC within NOCC-RT to be within 5 msec of UTC (NIST).

Availability was the most difficult design requirement to meet. The design approach taken was to use redundancy as well as a diversity of sources for the value of date UTC: Both the East and West GOES are used, in concert with a local cesium clock. The value of date UTC is received from the three sources, then compared. If two or three agree, that date is accepted; if all three disagree then the date of the local clock is the date accepted, but fault flags are set in the status bytes of the output to indicate uncertainty. These flags correspond to the lights on the front panel of the computer.

## II. Design Process

### A. NOCC-RT Frequency and Timing Subsystem

The design of the NCP was derived from functional requirements.<sup>2</sup> These requirements were combined with requirements for the remaining six NOCC subsystems which compose NOCC-RT to develop the functional design document (FDD) for NOCC-RT. The FDD was written as a task document and, as such, contained the design for all of NOCC-RT in that particular design phase.

The NCP is largely a hardware device but with significant software. Because the NCP is a program set in a piece of hardware separate from the rest of NOCC-RT, a separate ensemble of design documents was developed starting with the software requirements document (SRD).

### B. NOCC-RT Clock Processor

After being separated from the rest of NOCC-RT and at the start of the software requirements analysis phase, the NCP design was divided into hardware and software. The hardware design followed the traditional DSN design practice, which culminates in a hardware transfer agreement. At the same time, documents<sup>3</sup> were developed for the software, starting with the SRD and ending with the software transfer agreement.

<sup>2</sup> *Network Operations Control Center Subsystems Functional Requirements: Frequency and Timing Monitor Subsystem (1991-1995)*, JPL D-5423 (internal document), Jet Propulsion Laboratory, Pasadena, California, January 15, 1989.

<sup>3</sup> *JPL Software Management Standards Package*, JPL D-4000 (internal document), Jet Propulsion Laboratory, Pasadena, California, December 1988.

The hardware and software aspects of the design were remerged primarily in the software test plan and procedures. The NCP was tested as a DSN assembly and the results recorded in the software test report. An interesting example of this remerging was the section of the software test results report which proved the availability requirement had been met. The availability analysis dealt only with the hardware part of the NCP. However, the resulting report is a compact and complete verification that the NCP meets the hardware and software functional requirements assigned to it.

After the NCP was tested in place, it was connected to the NOCC-RT computers. The entire NCP was then included in the NOCC-RT integration testing, which was at the NOCC upgrade task level.

## III. Hardware Configuration

The NCP consists of two GOES receivers, a time-code translator/generator (TCT), a computer with a front panel containing status lights and a fiber-optic interface for the antenna cables. Figure 1 shows the NCP installed in the NOCC-RT cabinet at the JPL Space Flight Operations Facility (SFOF). Figure 2 shows a schematic representation of the NCP. Notice that the NCP receives a parallel time code from the three sources and sends a serial time code to NOCC-RT.

The two GOES receivers are configured using front-panel switches. The East and the West GOES signals are selected by a toggle switch. The location of the receiver is entered using a thumb-wheel switch. The satellite's signals are received by antennas located on the roof of a building which is adjacent to SFOF. The output of the receivers is a parallel time code with millisecond resolution. A serial status message is also sent to the NCP. The status message is used to build the status bytes, which are included in the serial time code output from the NCP.

The TCT can properly function in two different ways in the NCP: It can translate a serial time code to a parallel time code or it can generate a parallel time code from a source of 1 MHz. It is configured to accept a 1-MHz signal which is originated at the JSL. The JSL provides time and frequency service anywhere at JPL usually using a directly hard-wired 600- $\Omega$  phone line. In the case of the NCP, the signal is proximately provided by a 1-MHz distribution system internal to SFOF. Again, the output of the TCT is a parallel time code, with a format identical to that of the GOES receivers and the stability of a cesium frequency standard.

The computer is a Multibus I configuration with a CPU board, three I/O boards for the parallel time input and status input from the GOES timing receivers, and a special board to operate the front-panel status lights. A commercially available chassis is used, with new front and back panels added. Figure 3 shows the computer with the front panel opened up. The CPU board is on top. The next three boards are I/O to the time-code sources and the bottom board operates the front panel.

The front-panel status lights provide the same information that is sent in the status bytes of the output message. Green lights indicate correct functioning while the red indicate fault. The indicators are divided into two groups. The first group shows the condition of the inputs to the NCP. For example, if the value of date from the satellite receiver is unreliable because of a loss of signal, a red light will switch on. The second group indicates the condition of the output of the NCP. The NCP will accept the date UTC, but if it judges the date to be inaccurate, a red light will switch on.

There are instructions on the front panel and inside the front door so that installation or replacement of equipment can be accomplished without the installation manual. The switch positions on the front of the receivers are given on the computer's front panel. The cabling diagram is affixed to the inside of the front door.

Because of SFOF electrical conductivity requirements, part of the GOES antenna cable was replaced with fiber-optic cable. Special conversion modules were designed, constructed, and used in the antenna line. The configuration is shown in Fig. 4. The optical fiber provides a nonconductive path through the boundary of SFOF and still allows normal operation of the GOES receiver.

#### IV. Software Structure<sup>4</sup>

Being able to read a clock and report the value of date to a computer requires knowing the amount of time that each task takes to complete. Also, the NCR is required to respond frequently and quickly to requests for date UTC. These requirements led to the decision to write the software in assembly language. This was not a difficult problem because the program was small. The use of assembly language also allowed the application program to handle

---

<sup>4</sup> For a complete description of the software structure, refer to *Software Specification Document (Volume 1), NOCC Frequency and Timing Subsystem, NOCC Clock Reader Software, NOI-5450-OPA/1.0* (internal document), Jet Propulsion Laboratory, Pasadena, California, 24 January 1992; vol. 2 in press.

its own interrupts, which in turn allowed precise control of the amount of time needed to read the clocks.

The millisecond counter measures the time between clock-reading cycles. The accuracy and precision requirements to allow the NCP to read a clock only in response to a request were too complex because the NCP must be ready to send the value of date immediately. Instead, the NCP reads the clock on a regular schedule, and when a request for the value of date UTC comes in, the reading cycle stops, and the NCP sends out the most recent value of date UTC with the accumulated time-interval value from the millisecond counter.

NOCC-RT wanted the time mark to be at the end of the message, and not at the beginning, where it is usually placed. So the time required to transmit the message, plus about 10 milliseconds, is added to the value of date. The accepted value of date is sent; then a pause occurs to monitor the millisecond counter until it reads the value of the date sent. The time mark is then sent on the exact date UTC.

The four major tasks of the NCP are to read the time code from the three clocks, get the status information from the two GOES receivers, count milliseconds, and send the value of date UTC to NOCC-RT upon request.

The two GOES receivers and the time-code translator/generator all produce time code with the same format, a parallel binary code. The three outputs are read in rapid succession, then compared in a "majority-vote" algorithm to obtain a value of date UTC.

Status information on the condition of the date value from the GOES receivers is obtained from serial ports on the receivers. There is no status information from the time-code translator/generator.

The millisecond counters are started, one of them at each reading of the clocks, when the clocks are read. This allows an interpolation of the value of date UTC between clock readings. The clocking pulse interrupts the microprocessor every millisecond to update the counter. The total run time of the millisecond counter is from 20 to 30 msec, which is the clock-reading-cycle time.

Lastly, the NCP services the request for the value of date UTC from the NOCC-RT facility. At the end of each clock-reading cycle, the user-request lines are polled to determine if a request has come in. When a request is recognized, a value-of-date-UTC message is formatted and transmitted to NOCC-RT.

## V. Interface Between the NCP and NOCC-RT

The interface between the NCP and the NOCC-RT computer is a standard RS-232 format. At the time the original design work was done, it was not known how close, physically, the NCP would be to the NOCC-RT computers. It was decided to provide for a fiber-optic output of the date information. By using a 25-pin-electric to two-fiber-optic-cable interface, the value of date UTC can be transmitted up to two kilometers from the NCP. This means that the value of date UTC can be made available anywhere at JPL with a precision and accuracy of 1 msec. Before the NCP was installed in SFOF, the value of date UTC was provided to operational NOCC-RT in SFOF from the development laboratory, located over 300 m distant, by using fiber-optic cables.

The value of date UTC is requested by NOCC and the NCP responds with the date message. The date message is different than the one usually encountered. The message begins with the value of date (to the millisecond); then there are two bytes of status information. The date-UTC message is valid at the time that the last byte of the message is sent.

Requests for the value of date UTC are from two NOCC-RT computers. Each computer makes a request about once every five seconds. The NCP first sends the value of date UTC and then provides the date mark. The value of date UTC does not necessarily coincide with the second tick, but can be any millisecond of the second.

## VI. Installation

The NCP is installed on the third floor of SFOF. The adjacent building (180) has an unobstructed view of the geostationary satellites, so it was decided to install the antennas on that building's roof. The antenna cables were then run down cable ducts from the roof, under the road, into the SFOF basement, and up to the third floor.

While the installation was taking place, SFOF engineering staff decided to not allow the running of cables capable of conducting electricity into the building. A redesign was then started to replace the coaxial antenna cable with fiber-optic cable. The coaxial cable had already been laid from the roof to the second floor of the adjacent building,

so it was decided to leave that cable in place and install a fiber-optic-to-coaxial converter box in the telephone closet on the same floor. This box converts the intermediate frequency and local oscillator signals for the GOES antenna from electrical to optical. The antenna signal was routed through fiber-optic cable to the basement of SFOF and then to the third floor. Another fiber-optic-to-electrical converter box was installed as a part of the NCP hardware to convert the antenna signal back to electrical so that it could be input to the receiver.

## VII. Performance

The NCP meets all of the functional requirements assigned to it by the NOCC-RT FDD. The frequency at which the value of date can be received has been tested for up to 17 times per second with an accuracy and precision of 1 msec. Each request is answered with a value of date UTC and a set of validation flags in the status bytes. The value of date UTC includes the proper insertion of leap seconds, as is required in the UTC time scale. Furthermore, notification of approaching leap-second and leap-year events is provided by the flag bits in the status bytes.

All the acceptance tests were done after the NCP was installed in SFOF. The test equipment, including a portable cesium clock to check the accuracy of the value of date UTC, was brought to the NCP to complete the tests.

The NCP will service two computers, as it was designed to do. However, there is no reason it could not service more computers. With the fiber-optic distribution of the value of date UTC upon request, a large system of interconnected computers could stay synchronized by referencing the date UTC at selected points, thus avoiding the problem of reduction of the precision and accuracy of the value of date as it is passed through interconnecting computer structures.

## VIII. Conclusions

The NCP is a reliable source for date UTC. The value of date UTC is validated by the NCP and it is a true UTC with all of the leap-second adjustments included.

## Reference

- [1] *Recommendations of the CCIR, 1990 (Also Resolutions and Opinions), Vol. VII, Standard Frequencies and Time Signals*, CCIR, Geneva, Switzerland, p. XIV, 1990.

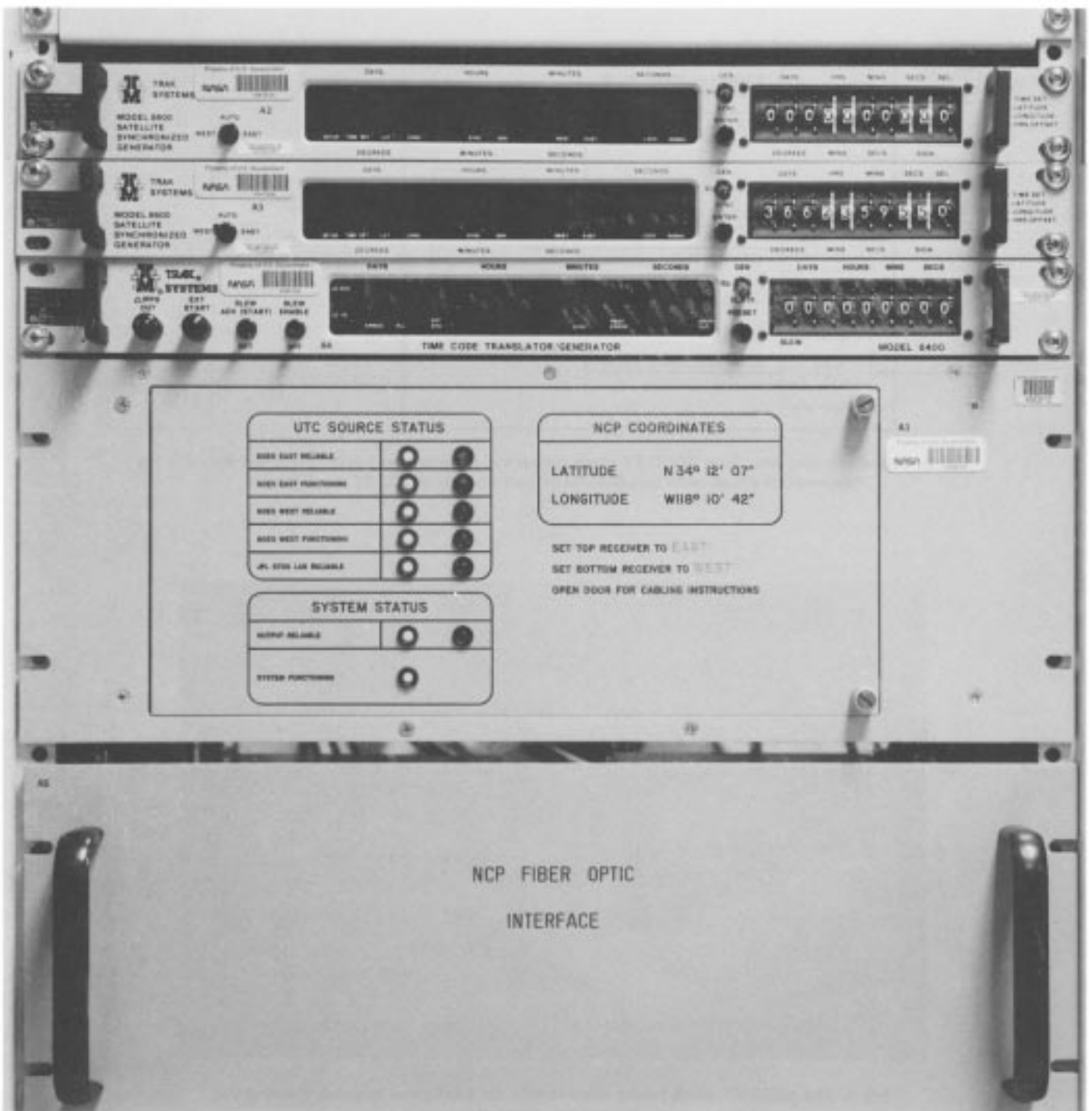


Fig. 1. The NOCC-RT clock processor assembly installed in its cabinet.

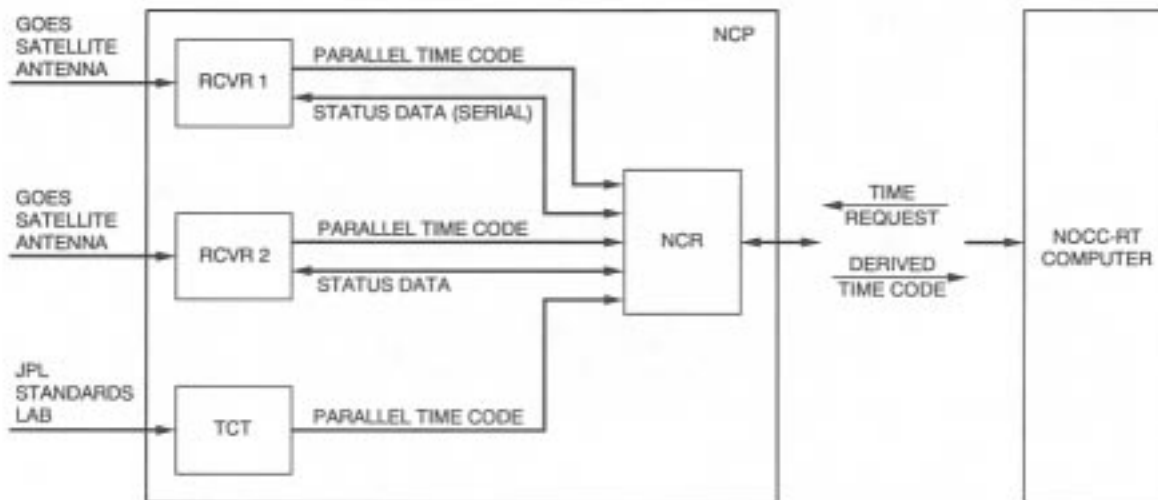


Fig. 2. Schematic diagram of the NOCC-RT clock processor, showing the interconnections between the receivers, the time-code translator/generator, and the NOCC-RT clock reader.

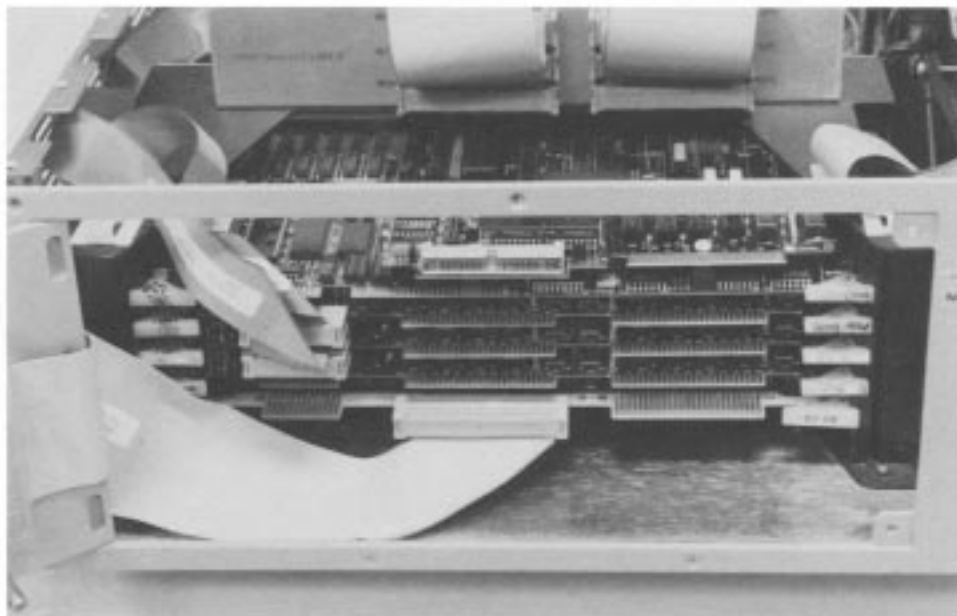


Fig. 3. The NOCC-RT clock reader chassis with the front panel opened, showing the computer and input/output boards.

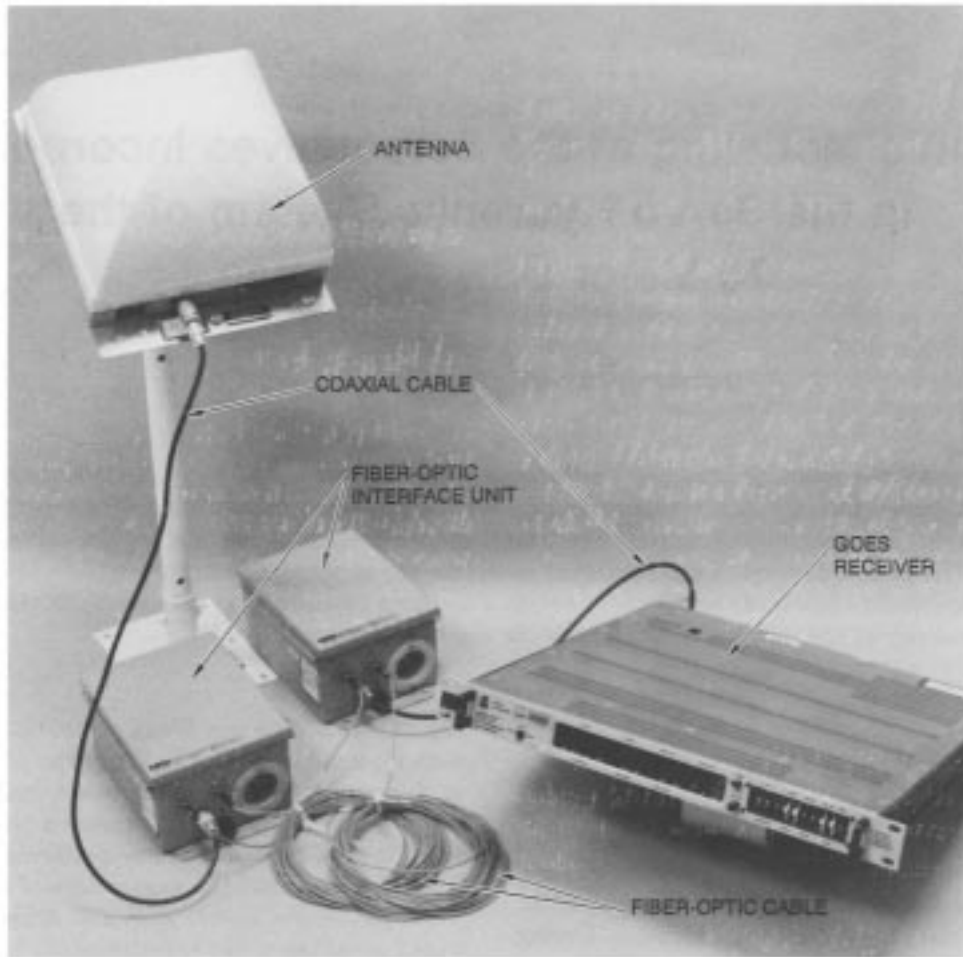


Fig. 4. A GOES receiver assembly.